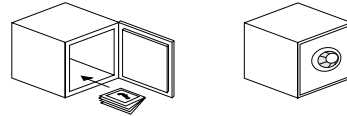
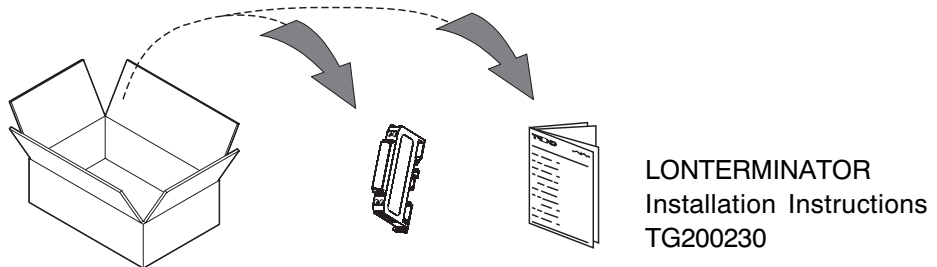


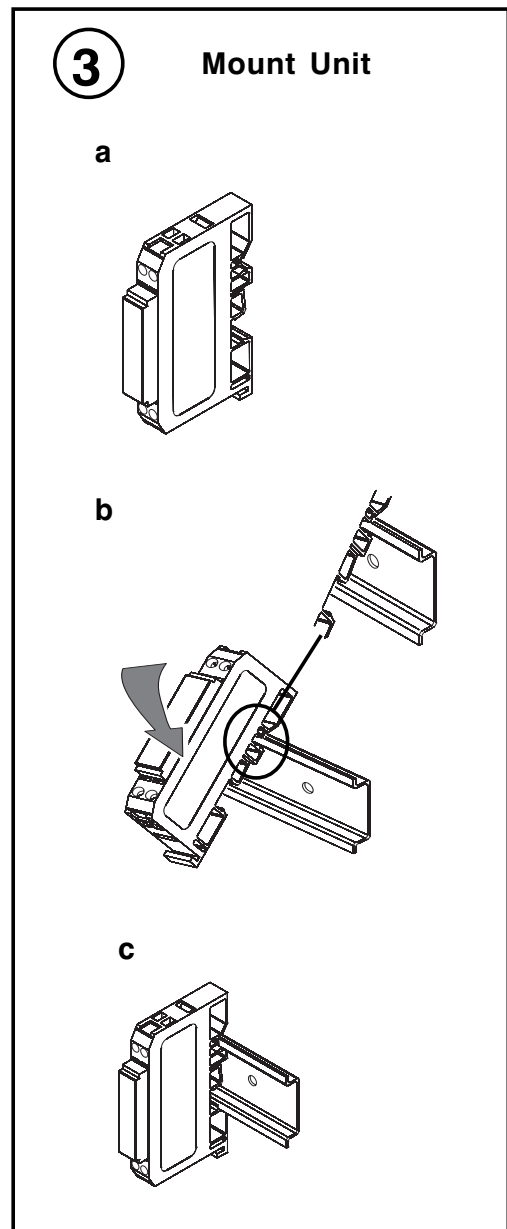
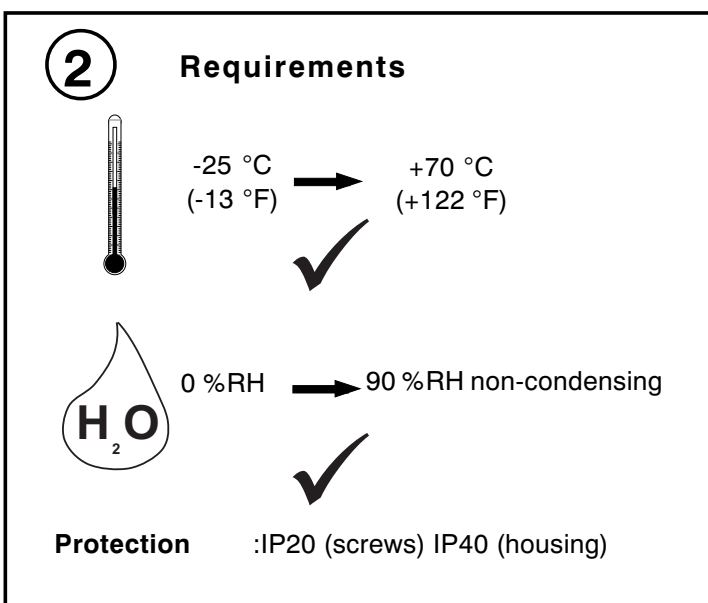
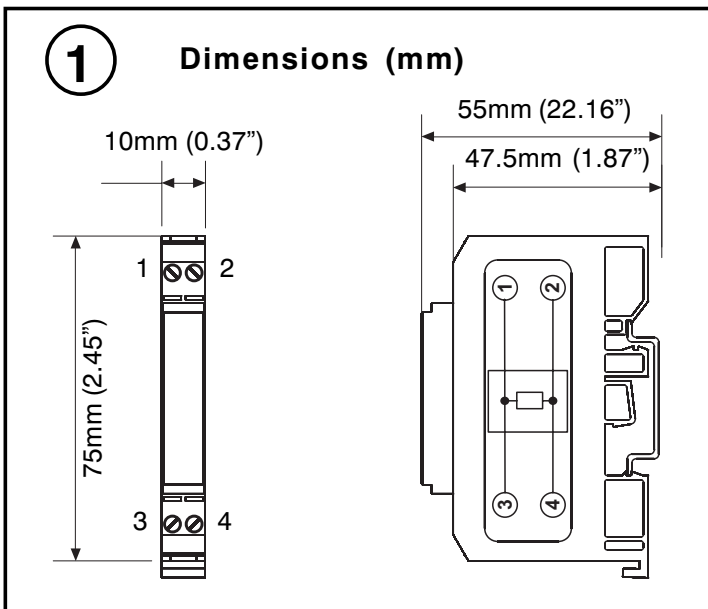
Important: Retain these instructions



Unpacking

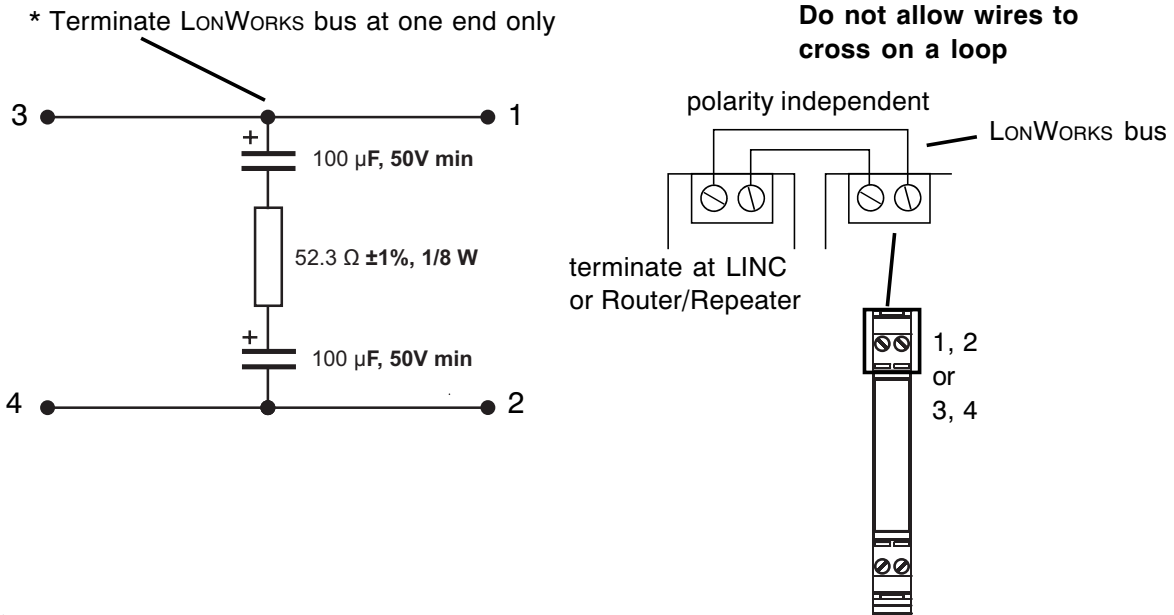
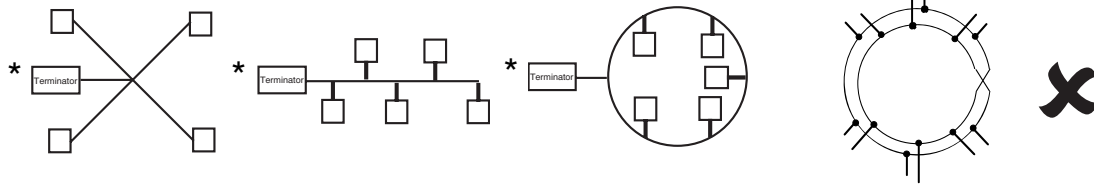


Installation



4 Connect LONWORKS Network


If FTT-10A or LPT10



Cable	Max Cable length	Max node to node
Belden 85102	500 m (545 yds)	500 m (545 yds)
IQ System TP/1/0/16/HF/200 (Belden 8471)	500 m (545 yds)	400 m (430 yds)
UL Level IV, 22 AWG	500 m (545 yds)	400 m (430 yds)
JY(St) Y2 x 2 x 0.8	500 m (545 yds)	320 m (350 yds)
TIA568A Cat. 5, 24 AWG	450 m (490 yds)	250 m (270 yds)

If used with LPT-10 (powered bus), cable lengths differ - see "Link Power Transceiver User's Guide (078-0105-01C)".

Disposal



WEEE Directive :

At the end of their useful life the packaging and product should be disposed of by a suitable recycling centre.

Do not dispose of with normal household waste.

Do not burn.

Please send any comments about this or any other Trend technical publication to techpubs@trendcontrols.com

© 2008 Honeywell Technologies Sàrl, ECC Division. All rights reserved. Manufactured for and on behalf of the Environmental and Combustion Controls Division of Honeywell Technologies Sàrl, Ecublens, Route du Bois 37, Switzerland by its Authorized Representative.

Trend Control Systems Limited reserves the right to revise this publication from time to time and make changes to the content hereof without obligation to notify any person of such revisions or changes.

Trend Control Systems Limited

P.O. Box 34, Horsham, West Sussex, RH12 2YF, UK. Tel: +44 (0)1403 21888 Fax: +44 (0)1403 241608 www.trend-controls.com

Trend Control Systems USA

6670 185th Avenue NE, Redmond, Washington 98052, USA. Tel: (425)897-3900, Fax: (425)869-8445 www.trend-controls.com